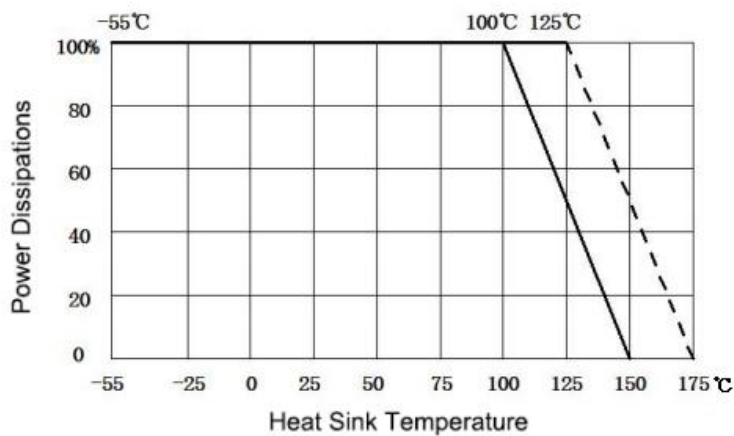


Tab & Cover Terminations

Electrical Features

- ✧ **Nominal Impedance:** 50 Ω
- ✧ **Resistive Tolerance:** ±5% standard; ±3%, ±2%, ±1% available
- ✧ **Substrate Material:** Aluminum Nitride (AlN)
- ✧ **Power Rating:** 20W-800W
- ✧ **Frequency Range:** DC-4GHz
- ✧ **Operating Temperature:** -55°C to +150°C
- ✧ **Temperature Coefficient:** ±150ppm/°C
- ✧ **RoHS Compliant**

Power Derating



HOW TO ORDER

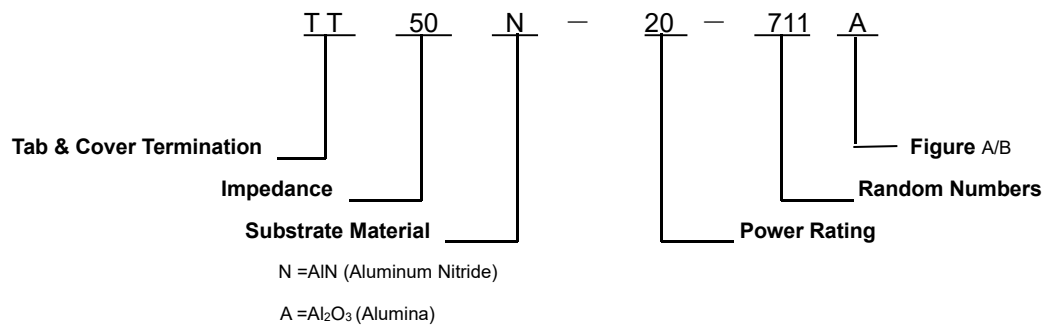


Figure A

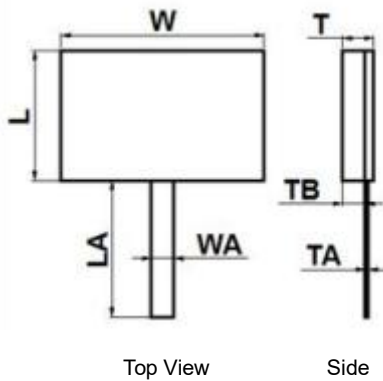
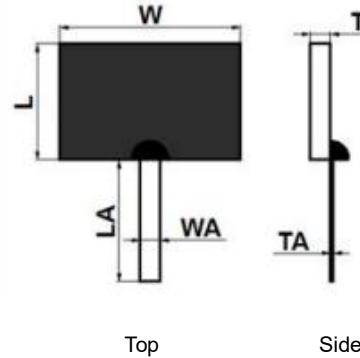


Figure B



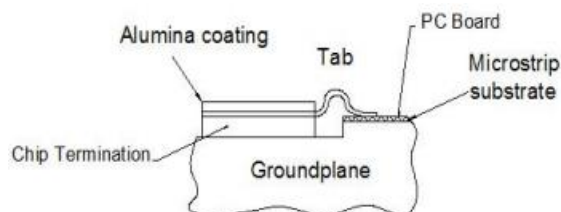
General Specifications and Dimensions

Part Number	Power Rating (W)	Freq. (GHz)	VSWR (Max.)	Dimensions (mm)							Outline Drawing
				L	W	T	LA	WA	TA	TB	
TT50N-20-308A	20	DC-3	1.20:1	2.5	5.0	1.9	4.0	1.0	0.1	1.0	Figure A
TT50N-100-340A	100	DC-4	1.20:1	6.35	6.35	1.9	6.0	1.0	0.1	1.0	Figure A
TT50N-150-521A	150	DC-3	1.25:1	5.7	8.9	1.0	6.0	1.0	0.1	/	Figure A
TT50N-150-701A	150	DC-3	1.20:1	9.5	6.35	1.5	3.2	1.0	0.1	/	Figure A
TT50N-500-732A	500	DC-2.5	1.30:1	12.7	12.7	1.5	8.0	2.4	0.15	/	Figure A
TT50N-800-401A	800	DC-1	1.20:1	26.4	25.4	2.0	8.0	2.4	0.15	/	Figure A
TT50N-60-318B	60	DC-4	1.20:1	6.35	6.35	1.2	6.0	1.0	0.1	/	Figure B
TT50N-100-503B	100	DC-3	1.25:1	5.7	8.9	1.2	6.0	1.0	0.1	/	Figure B
TT50N-250-525B	250	DC-3	1.20:1	9.5	9.5	1.2	6.0	1.4	0.1	/	Figure B
TT50N-300-604B	300	DC-4	1.25:1	10.0	10.0	1.5	6.0	1.4	0.1	/	Figure B

* Customized products are available, please consult with Kete.

Installation Instructions

1. When welding devices or leads, it is best to use a temperature-controlled soldering iron and keep the temperature at 260°C.
2. It is best to make an arch bridge shape at the lead (as shown), which can release the ability of thermal deformation to ensure good contact at the lead. Install the lead as little as possible to prevent the lead break.



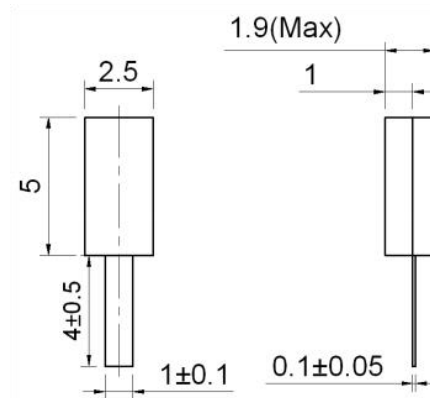
Tab & Cover Terminations

Part Number: TT50N-20-308A

Electrical Specifications

- ✧ Nominal Impedance: 50 Ω
- ✧ Resistive Tolerance: ±5% standard
- ✧ Substrate Material: AlN
- ✧ Power Rating: 20W
- ✧ Frequency Range: DC-3GHz
- ✧ VSWR (Max.) :1.20:1
- ✧ Operating Temperature: -55°C to +150°C
- ✧ Temperature Coefficient: ±150ppm/°C
- ✧ RoHS Compliant

Outline Drawing (mm)

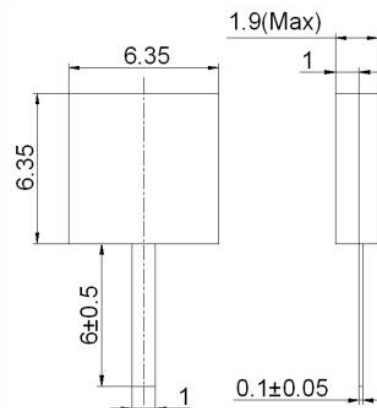


Part Number: TT50N-100-340A

Electrical Specifications

- ✧ Nominal Impedance: 50 Ω
- ✧ Resistive Tolerance: ±5% standard
- ✧ Substrate Material: AlN
- ✧ Power Rating: 100W
- ✧ Frequency Range: DC-4GHz
- ✧ VSWR (Max.) :1.20:1
- ✧ Operating Temperature: -55°C to +150°C
- ✧ Temperature Coefficient: ±150ppm/°C
- ✧ RoHS Compliant

Outline Drawing (mm)

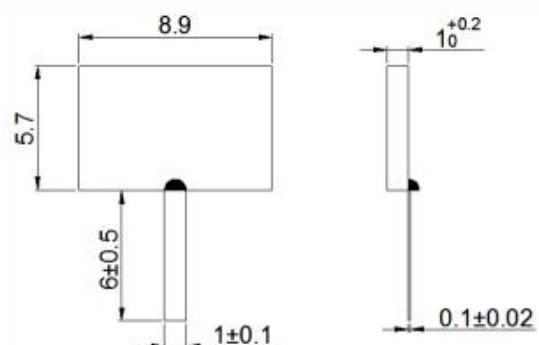


Part Number: TT50N-150-521A

Electrical Specifications

- ✧ Nominal Impedance: 50 Ω
- ✧ Resistive Tolerance: 5% standard
- ✧ Substrate Material: AlN
- ✧ Power Rating: 150W
- ✧ Frequency Range: DC-3GHz
- ✧ VSWR (Max.) :1.25:1
- ✧ Operating Temperature: -55°C to +150°C
- ✧ Temperature Coefficient: ±150ppm/°C
- ✧ RoHS Compliant

Outline Drawing (mm)



Tab & Cover Terminations

Part Number: TT50N-150-701A

Electrical Specifications

- ◇ **Nominal Impedance:** 50 Ω
- ◇ **Resistive Tolerance:** $\pm 5\%$ standard
- ◇ **Substrate Material:** AlN
- ◇ **Power Rating:** 150W
- ◇ **Frequency Range:** DC-3GHz
- ◇ **VSWR (Max.) :** 1.20:1
- ◇ **Operating Temperature:** -55 $^{\circ}$ C to +150 $^{\circ}$ C
- ◇ **Temperature Coefficient:** ± 150 ppm/ $^{\circ}$ C
- ◇ **RoHS Compliant**

Outline Drawing (mm)

Part Number: TT50N-500-732A

Electrical Specifications

- ◇ **Nominal Impedance:** 50 Ω
- ◇ **Resistive Tolerance:** $\pm 5\%$ standard
- ◇ **Substrate Material:** AlN
- ◇ **Power Rating:** 500W
- ◇ **Frequency Range:** DC-2.5GHz
- ◇ **VSWR (Max.) :** 1.30:1
- ◇ **Operating Temperature:** -55 $^{\circ}$ C to +150 $^{\circ}$ C
- ◇ **Temperature Coefficient:** ± 150 ppm/ $^{\circ}$ C
- ◇ **RoHS Compliant**

Outline Drawing (mm)

Part Number: TT50N-800-401A

Electrical Specifications

- ◇ **Nominal Impedance:** 50 Ω
- ◇ **Resistive Tolerance:** 5% standard
- ◇ **Substrate Material:** AlN
- ◇ **Power Rating:** 800W
- ◇ **Frequency Range:** DC-1GHz
- ◇ **VSWR (Max.) :** 1.20:1
- ◇ **Operating Temperature:** -55 $^{\circ}$ C to +150 $^{\circ}$ C
- ◇ **Temperature Coefficient:** ± 150 ppm/ $^{\circ}$ C
- ◇ **RoHS Compliant**

Outline Drawing (mm)

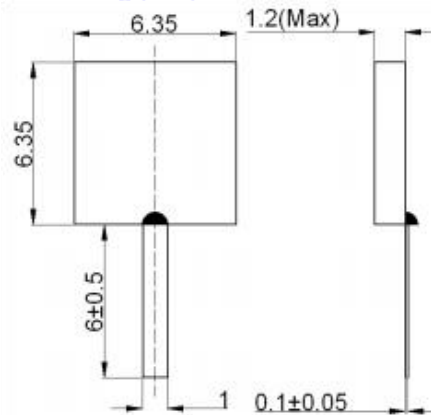
Tab & Cover Terminations

Part Number: TT50N-60-318B

Electrical Specifications

- ◇ **Nominal Impedance:** 50 Ω
- ◇ **Resistive Tolerance:** ±5% standard
- ◇ **Substrate Material:** AlN
- ◇ **Power Rating:** 60W
- ◇ **Frequency Range:** DC-4GHz
- ◇ **VSWR (Max.):** 1.20:1
- ◇ **Operating Temperature:** -55°C to +150°C
- ◇ **Temperature Coefficient:** ±150ppm/°C
- ◇ **RoHS Compliant**

Outline Drawing (mm)

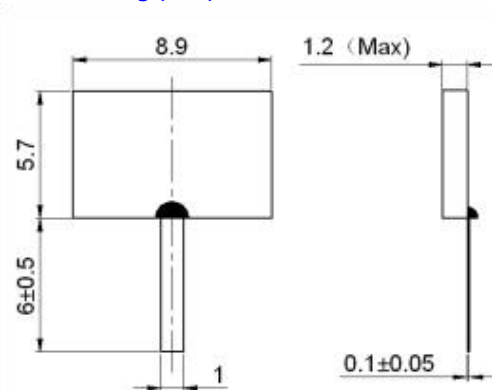


Part Number: TT50N-100-503B

Electrical Specifications

- ◇ **Nominal Impedance:** 50 Ω
- ◇ **Resistive Tolerance:** ±5% standard
- ◇ **Substrate Material:** AlN
- ◇ **Power Rating:** 100W
- ◇ **Frequency Range:** DC-3GHz
- ◇ **VSWR (Max.):** 1.25:1
- ◇ **Operating Temperature:** -55°C to +150°C
- ◇ **Temperature Coefficient:** ±150ppm/°C
- ◇ **RoHS Compliant**

Outline Drawing (mm)

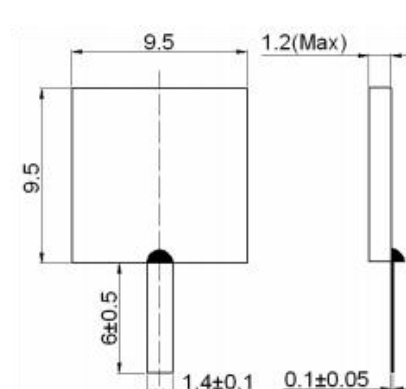


Part Number: TT50N-250-525B

Electrical Specifications

- ◇ **Nominal Impedance:** 50 Ω
- ◇ **Resistive Tolerance:** ±5% standard
- ◇ **Substrate Material:** AlN
- ◇ **Power Rating:** 250W
- ◇ **Frequency Range:** DC-3GHz
- ◇ **VSWR (Max.):** 1.20:1
- ◇ **Operating Temperature:** -55°C to +150°C
- ◇ **Temperature Coefficient:** ±150ppm/°C
- ◇ **RoHS Compliant**

Outline Drawing (mm)



Tab & Cover Terminations

Part Number: TT50N-300-604B

Electrical Specifications

- ◇ Nominal Impedance: 50 Ω
- ◇ Resistive Tolerance: $\pm 5\%$ standard
- ◇ Substrate Material: AlN
- ◇ Power Rating: 300W
- ◇ Frequency Range: DC-4GHz
- ◇ VSWR (Max.): 1.25:1
- ◇ Operating Temperature: -55°C to $+150^{\circ}\text{C}$
- ◇ Temperature Coefficient: $\pm 150\text{ppm}/^{\circ}\text{C}$
- ◇ RoHS Compliant

Outline Drawing (mm)

